

Sensor Readings	
..... V at	°C
..... V at	°C

Cable: 4x26AWG FEP tinned copper braided cable 250V 200°C
 Length: mm Tubing:
 Connector:

IRN3-R	
Infrared temperature sensor	
Typical application: track temperature measurement	
Ref: IRN3-R-100-20-##-##	
SN: !#####	Software version: v#.#

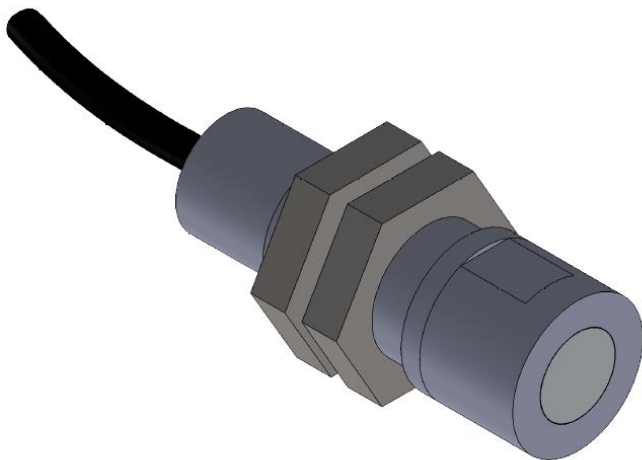
Texsys sensors are designed for data recording. If the user wants to include this sensor in a close loop system or active control, he must assume all responsibility.

Colour		Function	Pin
Red		Supply	
Black		0V	
White		Analog Signal	
Green		Do not connect and isolate	
Braid			

Range	-40 to +100	°C
Accuracy	See accuracy table	% FS
Sensitivity	See calibration table	mV/°C
Supply Voltage	5.5 to 16	V
Supply Current	3	mA
Output Voltage	0-3 or 0-5	V
Output Impedance	47	Ω
Output frequency	20Hz	
Sensitive Element	Thermopile (with protecting window)	
Wave Length	5.5 to 14	μm
Field Of View (90% radiation)	20	degree
Calibrator	FLUKE 4181	
Emissivity (factory tuning)	95	
Dimension	37.8 x 14	mm
Material	Aluminium	
Weight (without cable)	15	g
Protection	IP65	
Operating Temp	-40... +125	°C
Storage Temp	-40... +125	°C

°C	0-3V output (V) (= 0.9V + 21mV/°C)	0-5V output (V) (= 1.5V + 35mV/°C)
-40	0.060	0.100
-20	0.480	0.800
0	0.900	1.500
10	1.110	1.850
20	1.320	2.200
30	1.530	2.550
40	1.740	2.900
50	1.950	3.250
60	2.160	3.600
70	2.370	3.950
80	2.580	4.300
90	2.790	4.650
100	3.000	5.000

Accuracy table % FS			
Ambient (°C)	30	80	120
Target (°C)			
30	1.5	1.5	< 5
90	1.5	2	< 5



Ordering ref:

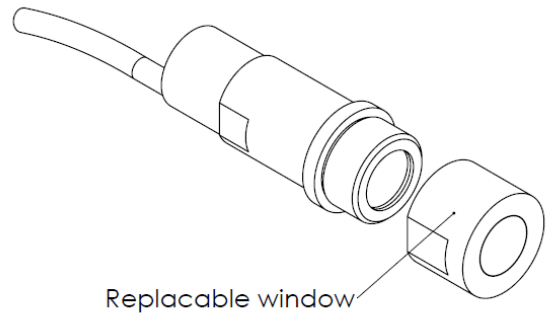
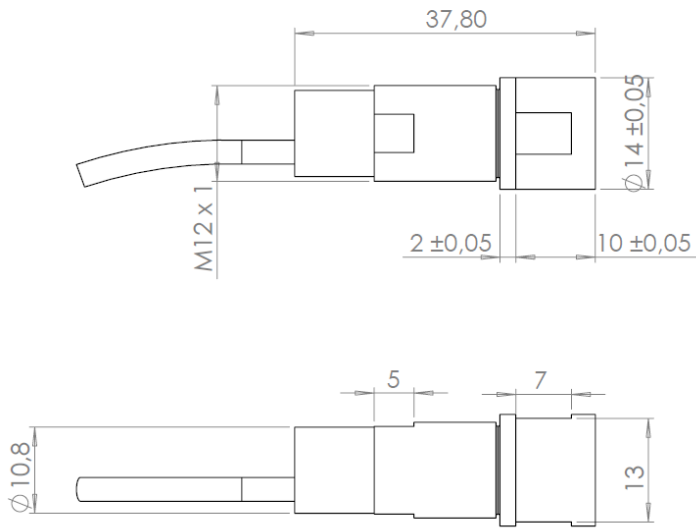
IRN3-R-100-20- Output Voltage-Distance

3V: 0-3V
5V: 0-5V

Calibration Distance in mm

Ex: IRN3-R-100-20-5V-85

Mechanical drawing



FOV (Field Of View)

